

PREPARING THE PRODUCT

1. Preparing the LED Flashlight

- 

1

Open the upper cover and prepare 1 x AAA Alkaline battery
- 

2


Insert battery, pay attention on the correct polarity +/-
- 


3

Close the cover and rotate it in clock direction


Note: Remove the battery from LED Flashlight, when it is not in use for an extended period of time. As soon as the LED Flashlight no longer functions reliably, new batteries should be inserted and/or the batteries should be charged.

2. Preparing the HOOKLINKER

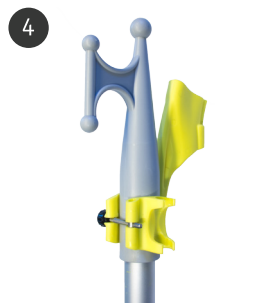
- 

1
- 

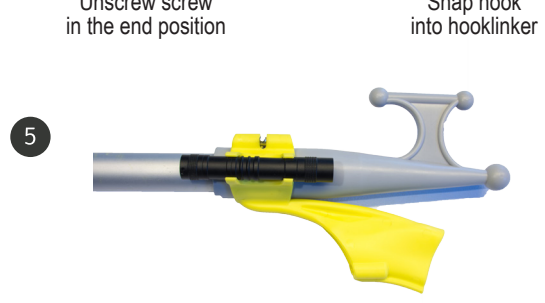
2

Unscrew screw in the end position
- 

3

Snap hook into hooklinker
- 

4

Swing screw to its original position and tighten it
- 

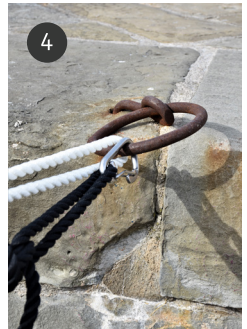
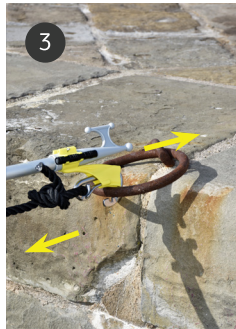
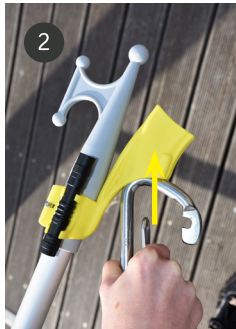
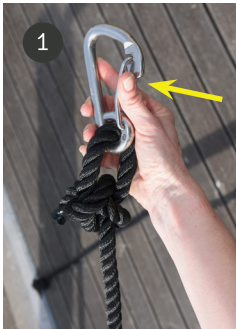
5

Insert the LED flashlight in the plastic frame

HOW TO USE THE HOOKLINKER

1. WITH STEEL SNAP HOOK

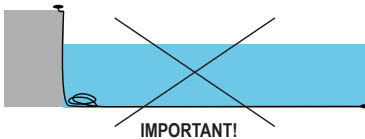
1. Connect the mooring rope with bowline knot or similar to steel snap hook (carabiner).
2. Open the safety latch of steel snap hook and insert it into HOOKLINKER (pay attention to appropriate angle).
3. Connect the carabiner to steel ring and push the telescopic hook and in same time pull the rope connected to snap hook.
4. Place additional safety mooring rope berth (moor) through ring or buoy steel ring.



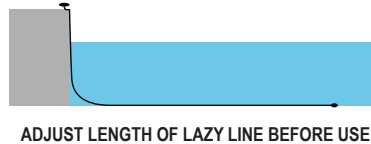
2. WITH BOATASY GHOOK

1. Before usage adjust the lazy line (mooring line) as per below instruction.

A) TOO LONG LAZY LINE



B) OPTIMAL LENGTH OF LAZY LINE



2. Insert GHOOK into Hooklinker plastic holder.
3. Pick lazy line with telescopic hook and attached Hooklinker.
4. Disconnect the Hooklinker from telescopic hook and proceed toward the mooring cleat.

